



"AMERICA'S FAUCET COMPANY"

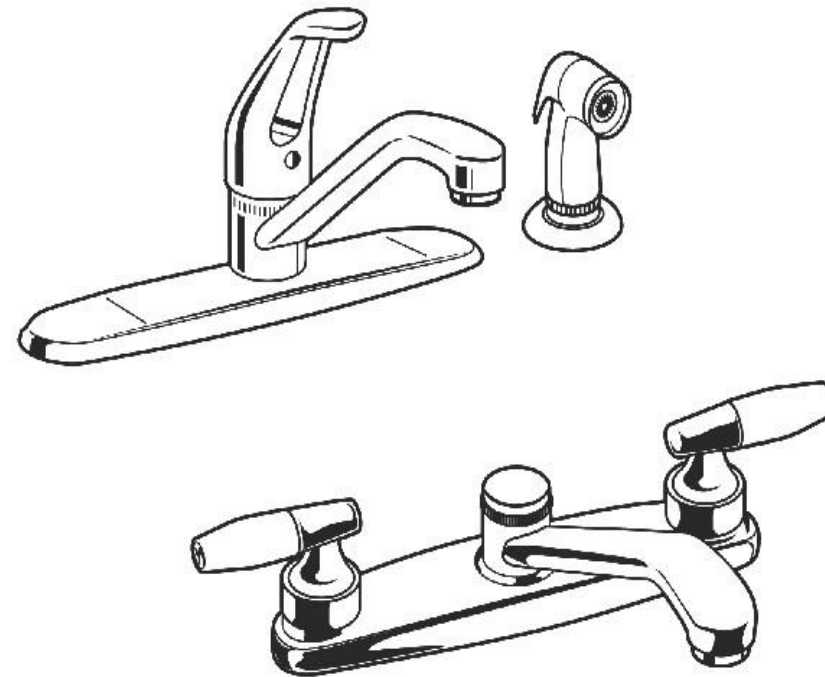
### LIFETIME LIMITED WARRANTY

American Brass warrants this product to be leak and drip-free during normal household use for as long as it is owned by the original consumer purchaser.

Should a malfunction occur within the time covered by this warranty, replacement parts may be obtained from the place of purchase or from American Brass's Customer Service Department. American Brass will, at American Brass's discretion, provide replacement parts for installation by consumer for any parts that prove defective under normal usage and service with new, like or equivalent American Brass parts.

This warranty shall not apply to goods which have been subject to accidents, abuse, negligence, improper installation, modification, misuse, or defective due to an Act of God. Our responsibility under this warranty is limited only to replacement of parts and no other costs including but not limited to: labor/service charges and shipping costs.

This warranty covers the original consumer purchaser only. Proof of purchase (original sales receipt) must accompany all warranty claims.



5000 Superior Avenue Cleveland, OH 44103-1238 USA

[WWW.RVFAUCETS.COM](http://WWW.RVFAUCETS.COM)

Thank you for purchasing this American Brass product. By following the care instructions below you will enjoy this quality faucet for many years. American Brass faucets are made with the highest quality for lasting use. Since 1894, our skillfully engineered faucets have provided contemporary

Single Handle & Two Handle Kitchen Faucet

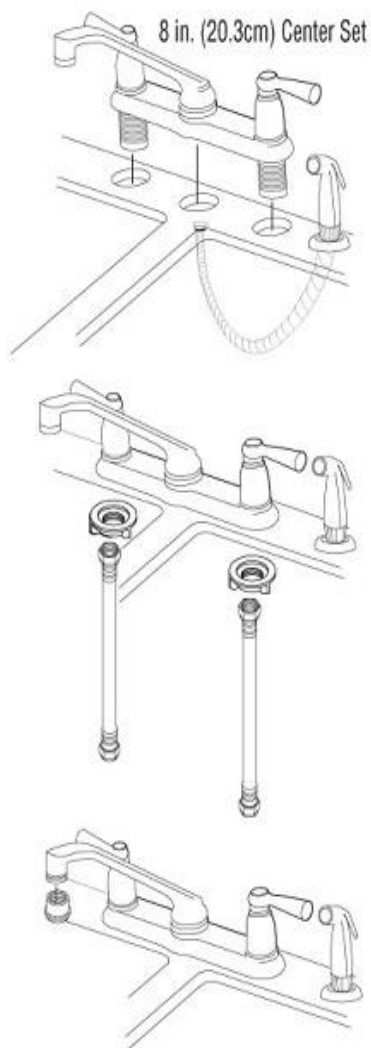
designs and fine finishes to complement homes across America.  
 Our products also offer water & energy saving features.  
 Please visit us online to learn more about our company and product offerings:

[WWW.RVFAUCETS.COM](http://WWW.RVFAUCETS.COM)

## INSTALLATION INSTRUCTIONS

### TO INSTALL SINGLE & DOUBLE HANDLE KITCHEN FAUCETS:

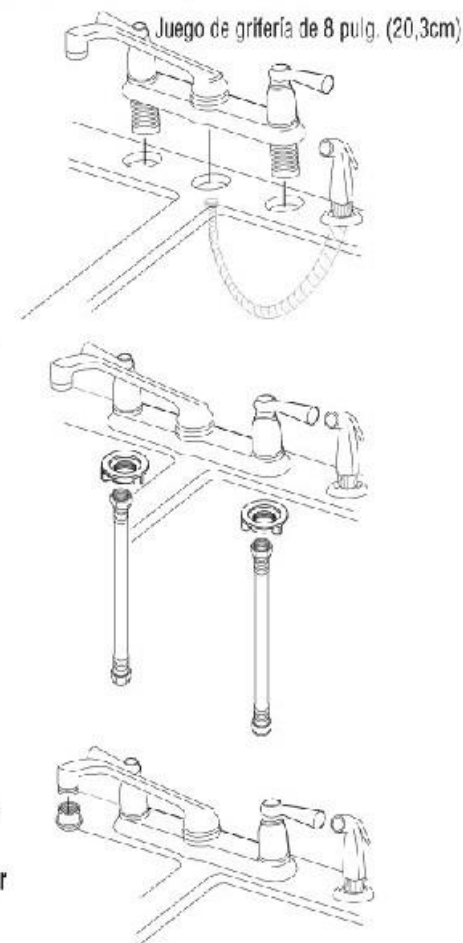
1. Turn off water supply.
2. If faucet is equipped with spray, install spray guide in hole on far right of sink. Thread nut on underside and tighten firmly. Insert spray hose down through guide and up through center faucet mounting hole. Connect the hose to the faucet and wrench tighten.
3. Position the faucet and sealing gasket on sink, inserting shanks into proper holes. Thread mounting nuts onto shanks and hand tighten faucet firmly to sink.
4. Attach water supply lines to faucet and valves.
5. Make sure all connections are tight and turn on water supply.
6. Unscrew and remove aerator. Turn water on and check for leaks. Run hot and cold water uninterrupted for about one minute to remove any residue from lines. Replace aerator.



## INSTRUCCIONES PARA LA INSTALACIÓN

### PARA INSTALAR GRIFOS DE COCINA MONOMANDO O DE DOS MANIJAS:

1. Cierre el suministro de agua.
2. Si el grifo está equipado con rociador, instale la guía del rociador en el agujero más alejado del fregadero. Enrosque la tuerca en la parte inferior y apriete firmemente. Inserte la manguera del rociador hacia abajo a través de la guía y hacia arriba a través del agujero de montaje central del grifo. Conecte la manguera al grifo y apriete con la llave ajustable.
3. Coloque el grifo y la empaquetadura para sellar en el fregadero, insertando los vástagos en los agujeros adecuados. Enrosque las tuercas de montaje en los vástagos y apriete a mano el grifo firmemente al fregadero.
4. Fije las tuberías de suministro al grifo y a las válvulas.
5. Cerciórese de que todas las conexiones estén ajustadas y abra el suministro de agua.
6. Desatornille y retire el aireador. Abra el suministro de agua y revise si hay fugas. Deje correr el agua caliente y fría ininterrumpidamente durante aproximadamente un minuto para retirar cualquier residuo de las tuberías. Vuelva a colocar el aireador.



Avoid polish or harsh abrasives on finishes!  
 Use damp cloth to clean.



Please Conserve Water!

